

DH-HAC-ME1200D

2MP HDCVI Active Deterrence Camera

HDCVI



- Max 30fps@1080P
- HD and SD output switchable
- 2.8mm fixed lens
- Max. IR length 20m, Smart IR
- Built-in PIR, 10m/110° detecting range/angle
- Active deterrence with white light & siren
- IP67, DC12V



System Overview

This PIR model is an indoor/outdoor dual detection camera which uses both video and infrared sensor to achieve accurate motion detection functionality. It also supports active deterrence feature which warns off intruders with white light and siren even before users are aware of the incident. This camera is an ideal choice for applications which require intrusion protect and video verification, such as courtyards, offices, warehouses, stores, etc.

Functions

4 Signals over 1 Coaxial Cable

HDCVI technology supports 4 signals to be transmitted over 1 coaxial cable simultaneously, i.e. video, audio*, data and power. Dual-way data transmission allows the HDCVI camera to interact with the HCVR, such as sending control signal or triggering alarm. Moreover, HDCVI technology supports PoC for construction flexibility.

* Audio input is available for some models of HDCVI cameras.

Long Distance Transmission

HDCVI technology guarantees real-time transmission at long distance without any loss. It supports up to 700m transmission for 5MP HD video via coaxial cable, and up to 300m via UTP cable.*

*Actual results verified by real-scene testing in Dahua's test laboratory.

Simplicity

HDCVI technology inherits the born feature of simplicity from traditional analog surveillance system, making itself a best choice for investment protection. HDCVI system can seamlessly upgrade the traditional analog system without replacing existing coaxial cabling. The plug and play approach enables full HD video surveillance without the hassle of configuring a network.

Dual Detection

The detection accuracy is well guaranteed with both motion detection and PIR detection, which can eliminate the number of false alarms you receive. With the advantage of dual detection technology, your HDD will now last longer and not be recorded with false alarms. Gone are the days of alarms caused by heavy wind or rain. Instead, only true threats will instantly trigger an alarm and allow you to protect your loved ones.

Active Deterrence

Active deterrence is to warn off intruders actively with white light and siren even before users are aware of the incidence. Once an intrusion is detected, the white light will turn on and the siren will buzz to alert the intruder. The white light can be set to Normally on or Flash, the content of siren is configurable.

Smart IR

The camera is designed with array LED IR illumination for best lowlight performance. Smart IR is a technology to ensure brightness uniformity in B/W image under low illumination. Dahua's unique Smart IR adjusts to the intensity of camera's infrared LEDs to compensate for the distance of an object, and prevents IR LEDs from overexposing images as the object come closer to the camera.

Broadcast-quality Audio

Audio information is used as supplementary evidence in video surveillance applications. The HDCVI camera supports audio signal transmission over coaxial cable. In addition, it adopts unique audio processing and transmission technology that best restores source audio and eliminates noise, guaranteeing the quality and effectiveness of collected audio information.

Protection

The camera's outstanding reliability is unsurpassed due to its rugged design. The camera is protected against water and dust with IP67, making it suitable for indoor or outdoor environments.

With PIR working temperature range of -20 °C to +60 °C (-4 °F to +140 °F), the MotionEye is designed for extreme temperature environments.

Supporting ±30% input voltage tolerance, this camera suits even the most unstable power supply conditions. Its 4KV lightning rating provides protection against the camera and its structure from the effects of lightning.

Technical Specification

Camera

Image Sensor	1/2.7" CMOS
Effective Pixels	1920(H)×1080(V), 2MP
Scanning System	Progressive
Electronic Shutter Speed	PAL: 1/25~1/100000s NTSC: 1/30~1/100000s
Minimum Illumination	0.02Lux/F2.0, 30IRE, 0Lux IR on
S/N Ratio	More than 65dB
IR Distance	Up to 20m (66feet)
IR On/Off Control	Auto / Manual
IR LEDs	1

Lens

Lens Type	Fixed lens / Fixed iris
Mount Type	Board-in
Focal Length	2.8mm
Max Aperture	F2.0
Angle of View	H: 111°, V: 60.5°
Focus Control	N/A
Close Focus Distance	700mm 27.6"

DORI Distance

Note: The DORI distance is a "general proximity" of distance which makes it easy to pinpoint the right camera for your needs. The DORI distance is calculated based on sensor specification and lab test result according to EN 62676-4 which defines the criteria for Detect, Observe, Recognize and Identify respectively.

	DORI Definition	Distance
Detect	25px/m (8px/ft)	2.8mm: 37m(122ft)
Observe	63px/m (19px/ft)	2.8mm: 15m(49ft)
Recognize	125px/m (38px/ft)	2.8mm: 8m(25ft)
Identify	250ppm (76px/ft)	2.8mm: 4m(12ft)

Pan / Tilt / Rotation

Pan/Tilt/Rotation	Pan: 0° ~ 360° Tilt: 0° ~ 90° Rotation: 0° ~ 360°
-------------------	---------------------------------------------------------

Video

Resolution	1080P (1920×1080)
Frame Rate	25/30fps@1080P, 25/30/50/60fps@720P
Video Output	1-channel BNC high definition video output / CVBS video output (Can switch)
Day/Night	Auto (ICR) / Manual

OSD Menu	Multi-language
BLC Mode	BLC / HLC / DWDR
WDR	DWDR
Gain Control	AGC
Noise Reduction	2D
White Balance	Auto / Manual
Smart IR	Auto / Manual

PIR

Detection	Passive infrared
Detection Range	Max. 10m, 110°
Alarm prompt	Whitelight & Siren
Installation height	Default bracket, wall mount, 2.2-2.5m

Certifications

Certifications	CE (EN55032, EN55024, EN50130-4) FCC (CFR 47 FCC Part 15 subpartB, ANSI C63.4-2014) UL (UL60950-1+CAN/CSA C22.2 No.60950-1)
----------------	-----------------------------------------------------------------------------------------------------------------------------------

Interface

Audio Interface	N/A
-----------------	-----

Electrical

Power Supply	12V DC ±30%
Power Consumption	Max 4.9W (12V DC, IR on)

Environmental

Operating Conditions	-20°C ~ +60°C (-4°F ~ +140°F) / Less than 95% RH * Start up should be done at above -20°C (-4°F)
Storage Conditions	-20°C ~ +60°C (-4°F ~ +140°F) / Less than 95% RH
Ingress Protection & Vandal Resistance	IP67

Construction

Casing	Aluminium (Front cover) + Plastic (Rear Barrel)
Dimensions	168.8mm×79mm×79mm (6.65"×3.11"×3.11")
Net Weight	0.24kg (0.53lb)
Gross Weight	0.31kg (0.68lb)

Ordering Information		
Type	Part Number	Description
2MP Camera	DH-HAC-ME1200DP 2.8mm	2MP HDCVI Active Deterrence Camera, PAL
	DH-HAC-ME1200DN 2.8mm	2MP HDCVI Active Deterrence Camera, NTSC
Accessories	PFA134	Junction box (For use alone or with PFA152-E pole mount)
	PFA152-E	Pole mount (For use with PFA134 junction box)
	PFM820	UTC Controller
	PFM800-E	Passive HDCVI Balun
	PFM800-4K	Passive Video Balun
	PFM800B-4K	Passive Video Balun
	PFM321	12V 1A Power Adapter
	PFM320D-015	12V 1.5A Power Adapter
	PFM300	12V 2A Power Adapter

Accessories

Optional:



PFA134
Junction box



PFA152-E
Pole mount



PFM820
UTC Controller



PFM800-E
Passive HDCVI Balun



PFM800-4K
Passive Video Balun



PFM800B-4K
Passive Video Balun



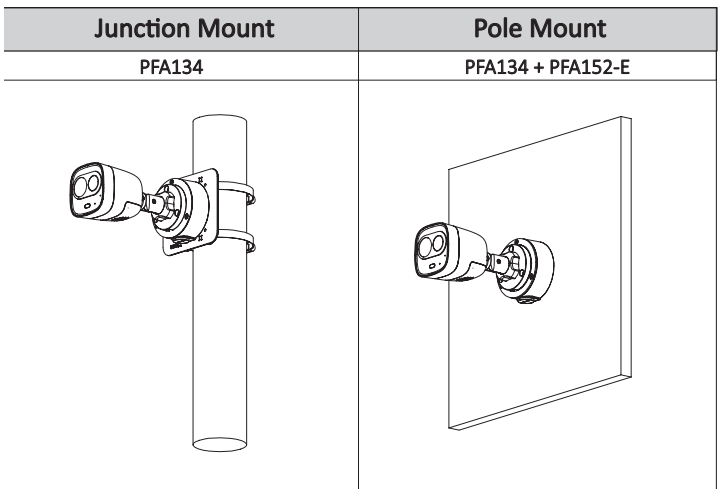
PFM321
12V 1A Power
Adapter



PFM320D-015
Power Adapter



PFM300
Power Adapter



Dimensions (mm/inch)

